

Specifications :

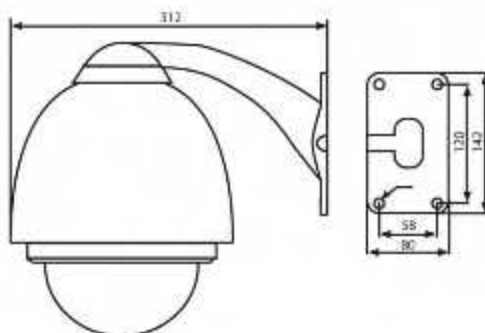
MODEL

VS-H275B/27DN

Image Sensor	1/4" CCD LG MODULE
Active Pixels	795(H) x 596(V)
Synchronization	Internal / Extrinsic
Video Output	VBS 1.0Vp-p/75 ohms
White Balance	Auto / Manual
Scanning Frequency	15.625KHz(H) 50Hz(V)
Horizontal Resolution	480 TVL
S/N Ratio	≥ 50dB
Electronic Shutter	1/50 ~ 1/10,000s
Min. Illumination	0.01 Lux
Focal Length	f=3.6 ~ 98mm 27 x
Focal & Iris	Auto / Manual
Pan Speed	0° ~ 300° /s
Tilt Speed	0° ~ 120° /s
Pan Range	360° Continuously
Tilt Range	90° (180° auto overturn)
Preset	128 (max)
Communication	Multi-protocol, RS485
Relative Humidity	90% without agglomeration
Work Temperature	-35°C ~ 55°C
Power Supply	AC 24V
Power Consumption	20VA
Weight	4Kg

Dimensions

Unit : mm



sejati4u.com

Optional Parts



Ceiling Bracket VS-B15



Wall Bracket VS-B16



Nickel-plate Glisten
Dome Cover VS-NKC06